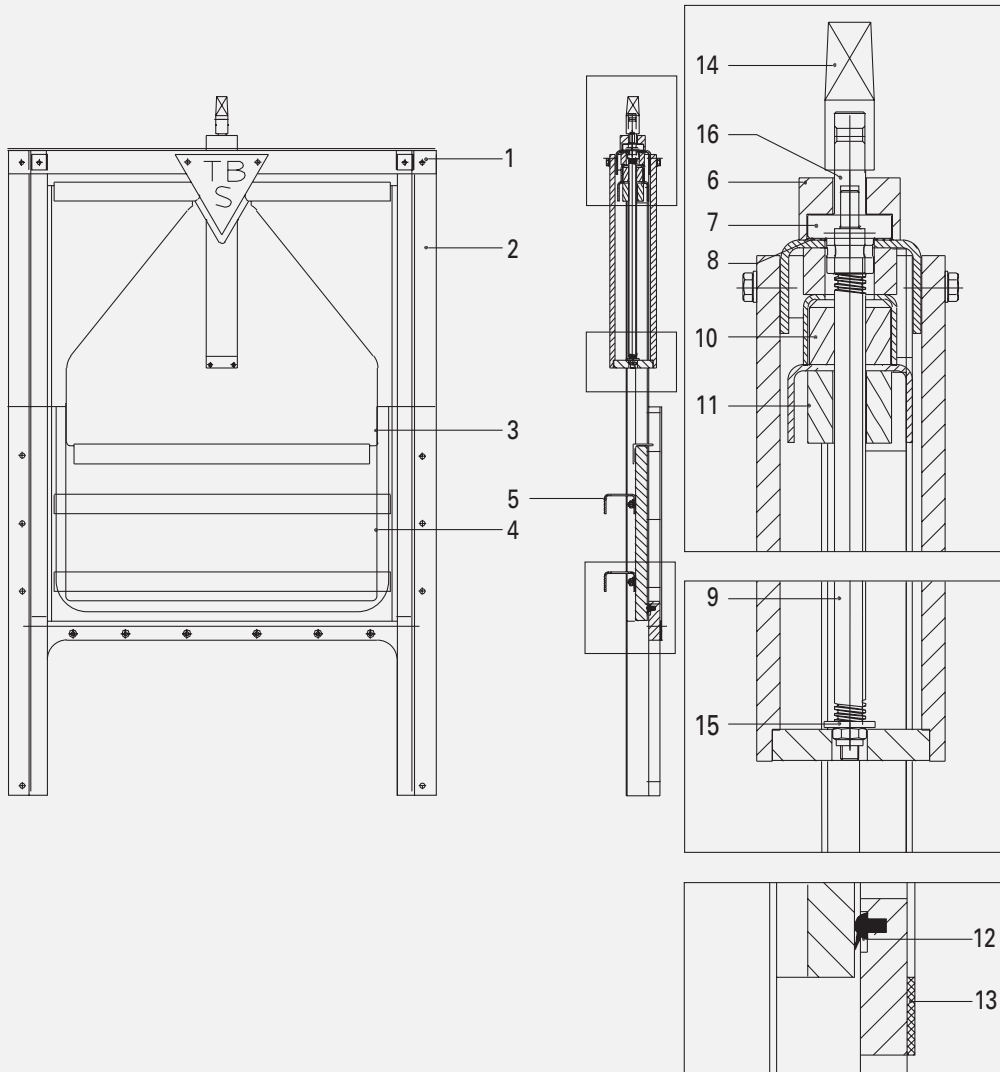


HDPE OVERFLOW GATE

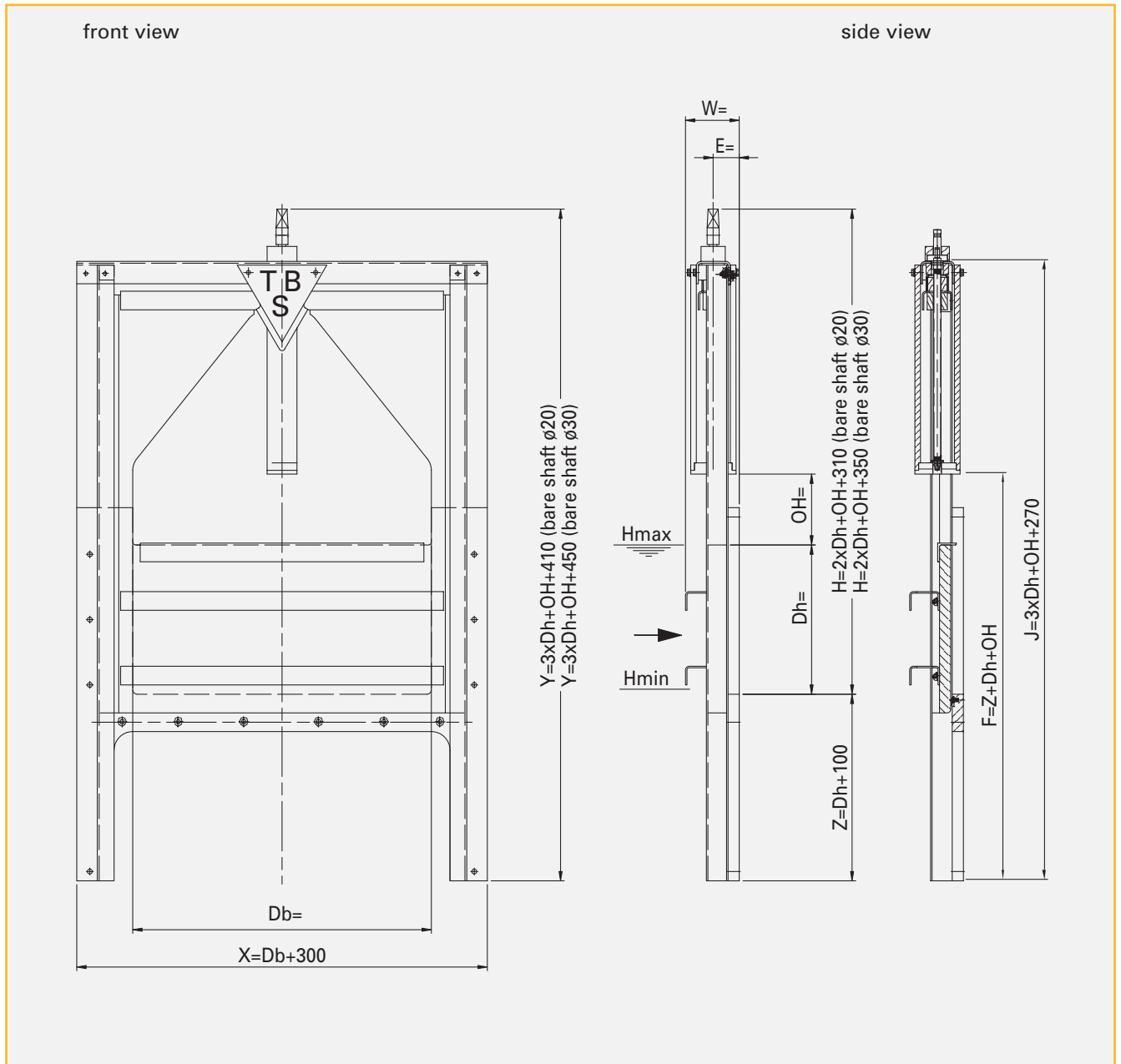
VALVE POS



	Part	Material
1	cross bar	Stainless steel AISI 316
2	guides	Stainless steel AISI 316
3	frame plate	HDPE
4	door	HDPE
5	reinforcement profiles	Stainless steel AISI 316
6	bearing house	POM
7	bearing	Stainless steel AISI 316
8	bearing ring	Polymer
9	spindle	Stainless steel AISI 316
10	nut	Bronze
11	distance block	HDPE
12	sealing door / frame plate	EPDM
13	sealing penstock / concrete	Neoprene
14	conical socket	Stainless steel AISI 316
15	end stop	Stainless steel AISI 316
16	bare shaft	Stainless steel AISI 316

HDPE OVERFLOW GATE

VALVE POS



Product	TBS HDPE Overflow gate valve type POS
Application	Valve to regulate the upstream water level between a minimum level (H min) and a maximum level (H max)
Standard pressure	on-seating pressure in meters water column equal to the height of the door Dh off-seating pressure on request
Operation possibilities	see introduction chapter 3
note 1	if a rectangular overflow gate is required with a dimension in between a hundredfold in mm, the outside dimensions of a gate with first coming hundredfold in mm will be followed
note 2	The free overflow height (OH) between door and HDPE cover of the spindle is 190 mm
note 3	If the $Db > 2000$ mm and $Dh > 750$ mm an overflow gate with 2 spindles might be applied
note 4	For channel application the overflow gate valve will be executed with a complete HDPE back plate