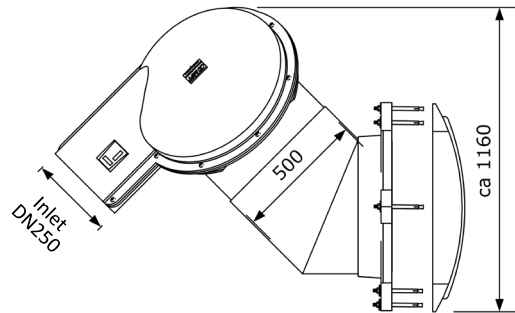
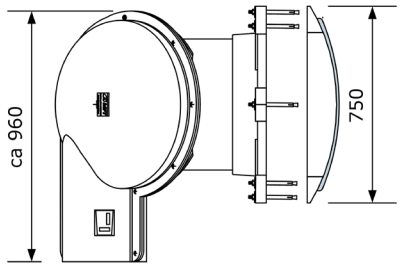
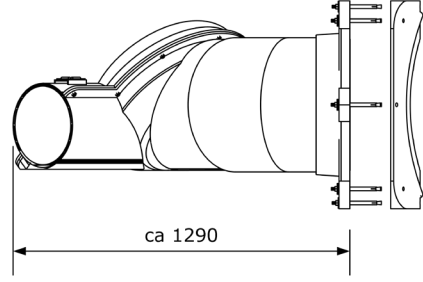
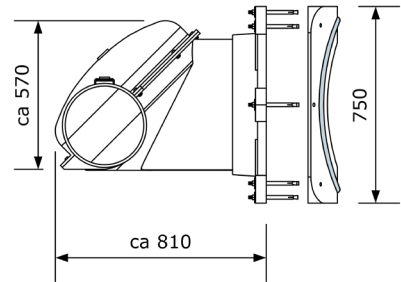
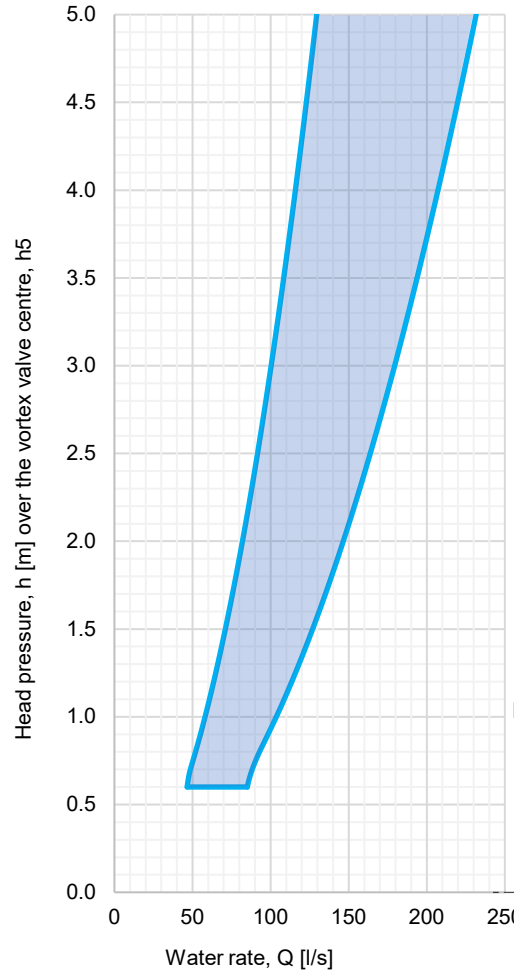


Type P1 with mounting plate

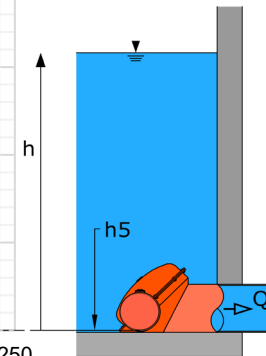
Type P2 with mounting plate



Recommended Hydraulic Dimensioning Range



Note: The vortex valve is customizable. Dimensioning point must be specified in the specification.



Anmerkninger:

- 1) Installation according to installation instructions.
- 2) All dimensions in [mm].
- 3) Customized product. Dimensioning criteria must be specified in the specification.
- 4) 45-bend is used if necessary to reduce the required manhole's diameter and improve hydraulic in the system.

Min. manhole's diameter recommended:
 Type P1: ø2000mm
 Type P2: ø1600mm

Parts list:

A	1 stk	Vortex valve house	PUR
B		Bolts	316
C	1 stk	Outlet, spiss	PUR
D	1 stk	45 degrees bend (kun P2)	PUR
Accessories:			
E	1 stk	Mounting plate	PUR
F	1 stk	Gasket	Celleplast
G	8 stk	Exp bolts	316
H	1 stk	Filling piece	PE

Customized product Dimensioning criteria

Dim. water flow. Qb (l/s): _____

Dim. head pressure hb (m): _____

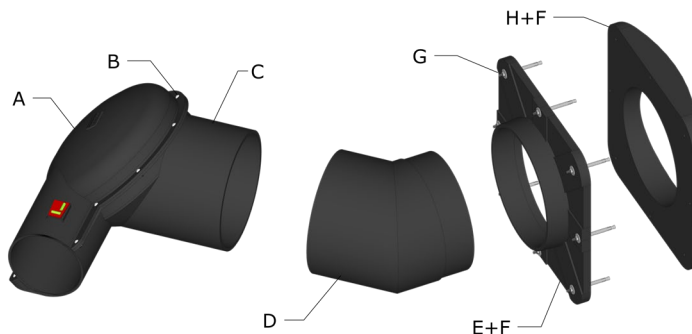
Outlet with tip for mounting against socket, included as standard.

Accessories:

45-bend (Yes/No): ____

Mounting plate (Yes/No): ____

Filling piece adapted to the manhole diameter, Dk (m) : _____



Datasheet

Product nr: SUN452DN300P		Product navn: Conical vortex valve FluidCon SUN SUN452DN300, PUR, customeized	
NRF nr: -			
Version: 14-11-2023	Page: 1 av 1	Performance/Dimension: D-500 outlet (dim 500 PVC tip)	
		<p><small>Copyright: This drawing is protected intellectual property ownership by Norwegian law and may not be unjustifiably copied, used or sent to third parties without MFT's approval. The subscription must also not be used on a tender basis without MFT's permission. The knowledge our customers acquire during project preparation, ordering, purchasing, assembly, etc. The customer cannot utilize himself on his own, through later own construction of plagiarism etc. Violation of these obligations can result in both criminal and liability.</small></p>	

mft.no