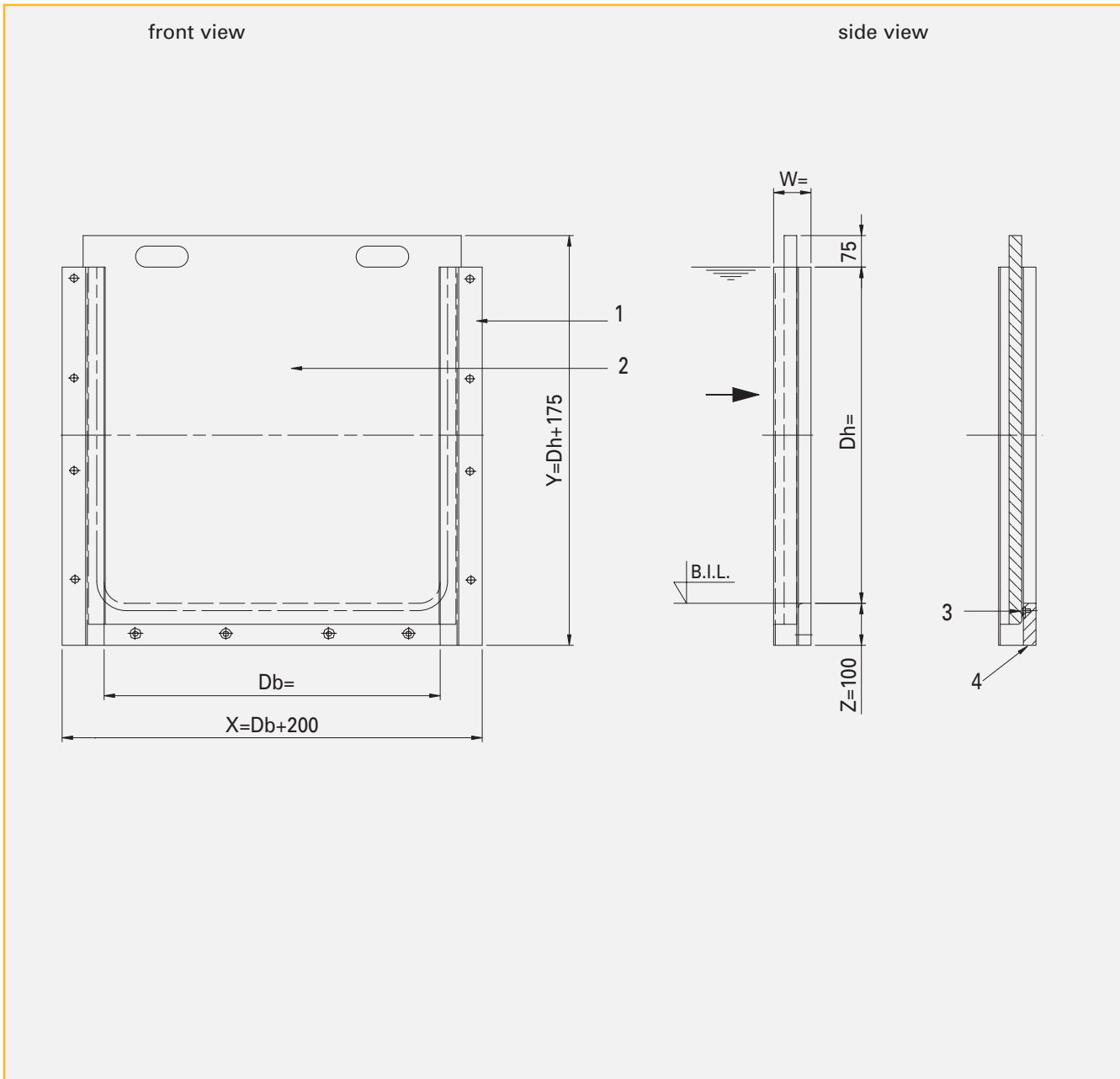


HDPE HAND GATE PHS

FOR MANUAL LIFTING



Product	TBS HDPE Hand gate type PHS
Application	Valve to block a flow till door height, mostly in channel application
Standard pressure	on-seating pressure in meters water column equal to the height of the door Dh off-seating pressure on request
Materials	1 Guide Stainless steel AISI 316 2 Door HDPE 3 Sealing EPDM 4 Frame plate HDPE
note 1	if a rectangular hand gate is required with a dimension in between a hundredfold in mm, the outside dimensions of a gate with first coming hundredfold in mm will be followed
note 2	Up to 0,6 M2 hand gate can be manually lifted

HDPE HAND GATE PHS WITH LIFTING HOOKS

