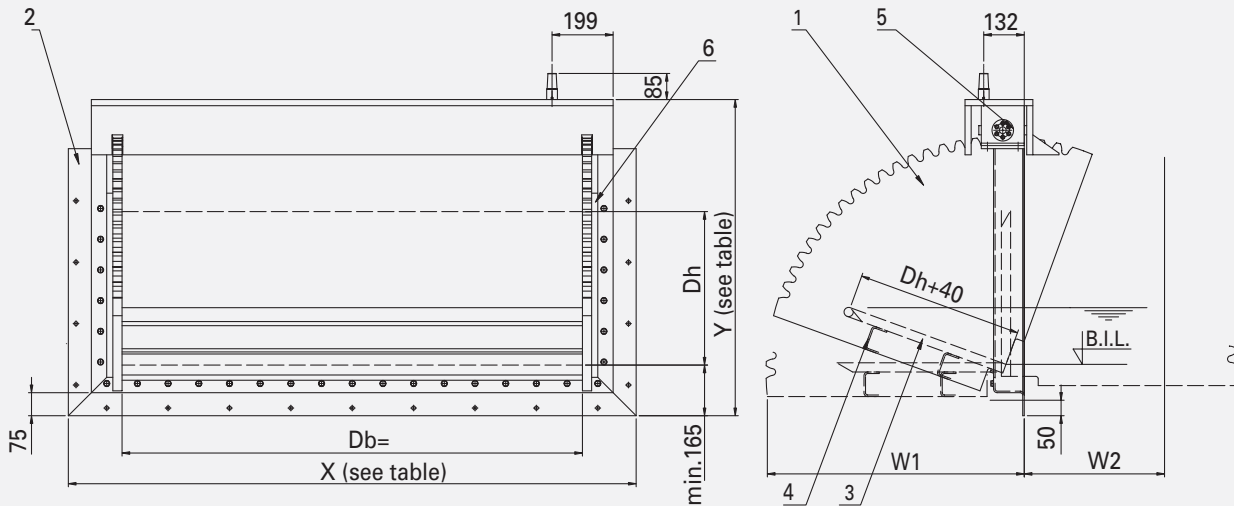


front view

side view



| | | | |
|-------------------|--|------------------------|--------------------------|
| Product | TBS HDPE Flap weir type PKLS | | |
| Application | Valve to regulate the upstream water level between a minimum level and a maximum level | | |
| Standard pressure | maximum pressure in meters water column equal to the height of the door D_h | | |
| Materials | 1 | Segment | HDPE |
| | 2 | Frame | Stainless steel AISI 316 |
| | 3 | Door | HDPE |
| | 4 | Reinforcement profiles | Stainless steel AISI 316 |
| | 5 | Gear | Aluminium |
| | 6 | Seal | Neoprene |

| Overflow height D_h | Width X | Height Y | Db (max) | Low W1 | High W2 |
|---------------------------|------------|-------------|----------|-----------|------------|
| ≤ 500 mm | Db+350 mm | 1030 | 3000 | 840 | 780 |
| $500 < D_h \leq 750$ mm | Db+350 mm | 1280 | 3000 | 1090 | 1030 |
| $750 < D_h \leq 1000$ mm | Db+400 mm | 1565 | 2000 | 1375 | 1315 |
| $1000 < D_h \leq 1250$ mm | Db+400 mm | 1815 | 2000 | 1625 | 1565 |