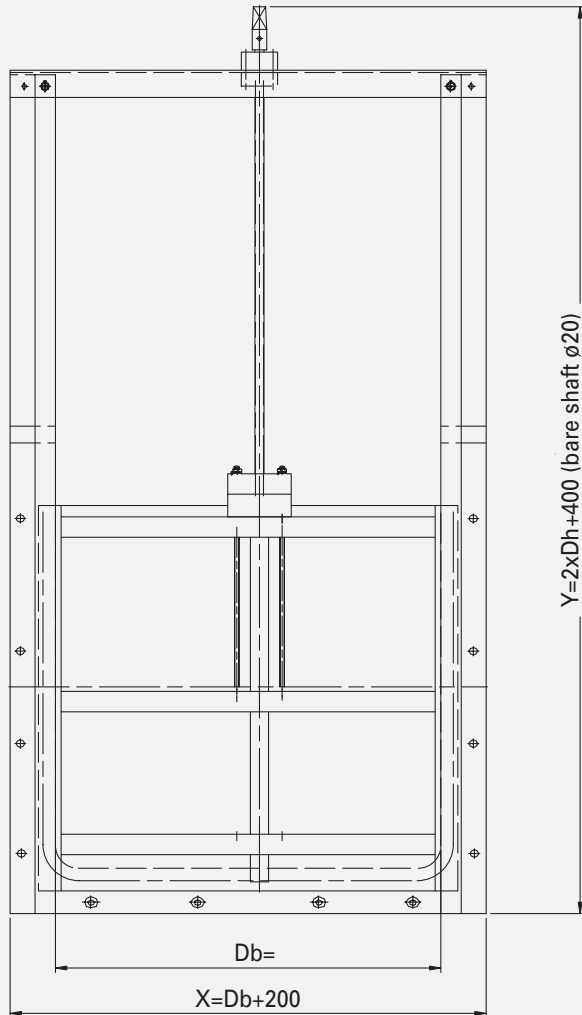
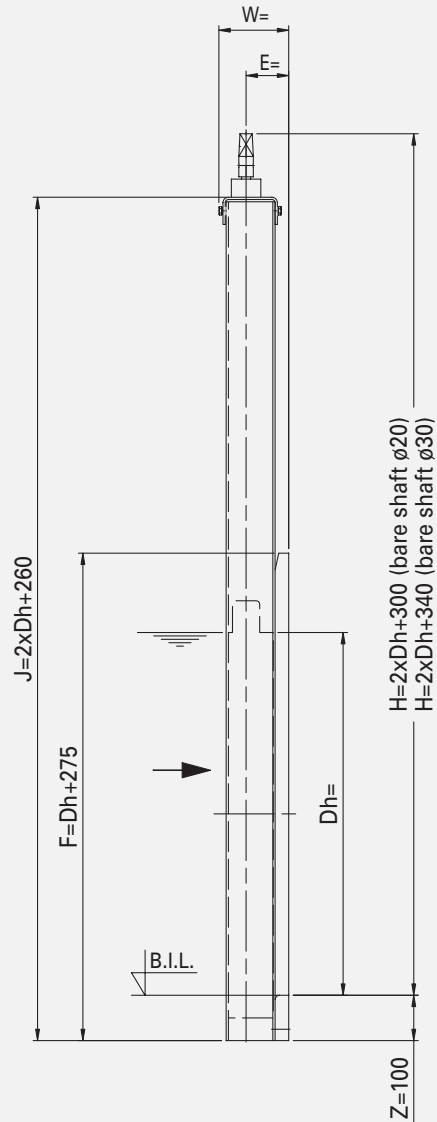


	Part	Material
1	cross bar	Stainless steel AISI 316
2	guides	Stainless steel AISI 316
3	frame plate	HDPE
4	door	HDPE
5	reinforcement profiles	Stainless steel AISI 316
6	bearing house	POM
7	bearing	Stainless steel AISI 316
8	bearing ring	Polymer
9	spindle	Stainless steel AISI 316
10	nut	Bronze
11	distance block	HDPE
12	sealing door / frame plate	EPDM
13	sealing penstock / concrete	Neoprene
14	conical socket	Stainless steel AISI 316
15	end stop	Stainless steel AISI 316
16	bare shaft	Stainless steel AISI 316

front view



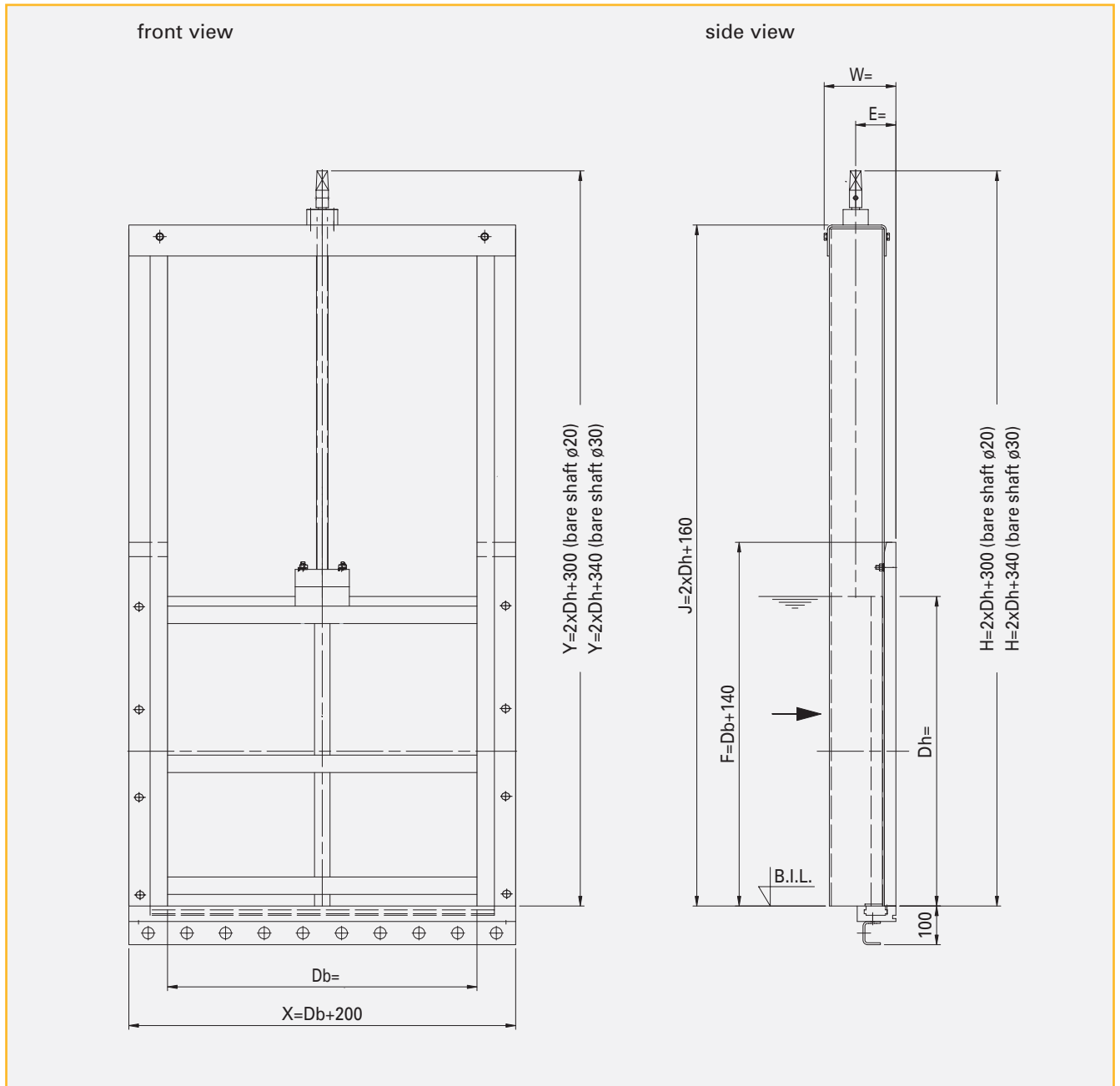
side view



Product	TBS HDPE Sluice gate type PKS
Application	Valve to block a flow till door height, mostly in channel application
Standard pressure	on-seating pressure in meters water column equal to the height of the door Dh off-seating pressure on request
Operation possibilities note 1	see introduction chapter 3 if a rectangular sluice gate is required with a dimension in between a hundredfold in mm, the outside dimensions of a gate with first coming hundredfold in mm will be followed for instance a sluice gate with opening dimensions 315 x 475 mm will follow the outside dimensions of a gate with dimensions 400 x 500 mm (so $X=400+200$ and $Y=2 \times 500+400$ )

# HDPE SLUICE GATE

## WITH FLUSH INVERT PKS - FI



Product	TBS HDPE Sluice gate type PKS-FI (flush invert) Bottom seal is made of polyurethane, the EPDM seal is placed in the frame plate and forms one continuous piece with the bottom seal
Application	Valve to block a flow till door height, mostly in channel application
Standard pressure	on-seating pressure in meters water column equal to the height of the door Dh off-seating pressure on request
Operation possibilities note 1	see introduction chapter 3 if a rectangular sluice gate is required with a dimension in between a hundredfold in mm, the outside dimensions of a gate with first coming hundredfold in mm will be followed for instance a sluice gate with opening dimensions 315 x 475 m will follow the outside dimensions of a gate with dimensions 400 x 500 mm (so X=400+200 and Y=2x500+300)