

Notes:

- 1) Installation according to installation instructions.
- 2) All dimensions in [mm].
- 3) Stated criteria has been considered as a minimum recommendation. In the event of a lack of upstream sand traps or a high sand/sludge content, the distance should be increased.

Any accessories are not shown in the drawing.

Min. manhole's diameter recommended: $\phi 1000\text{mm}$.

Minimum mounting opening:
DM_{min}: $\phi 500\text{mm}$

Parts list:

A	1 stk	Vortex valve housing	PUR
B	7 stk	Locking bolts	316
C	1 stk	Outlet	PUR

Accessories:

D	1 stk	Mouting plate	PUR
E	1 stk	Gasket	Celleplast
F	8 stk	Eks bolts	316
G	1 stk	Filling piece	PE

Customized product dimensioning criteria

Dim. Water flow Qb (l/s): _____

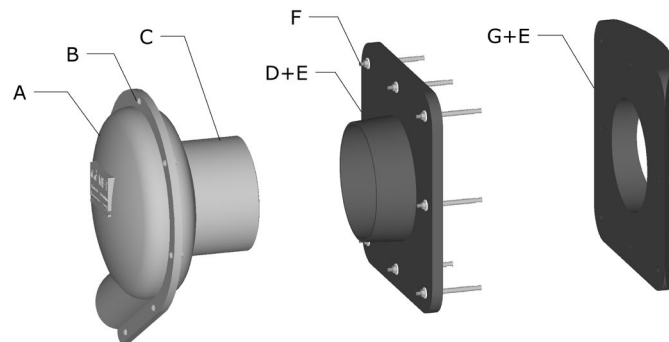
Dim. Head pressure hb (m): _____

Outlet mounted against standard socket comes as standard option

Accessories:

Mounting plate (Yes/No): _____

Filling piece for mounting plate customized to a manhole's diameter Dk (m) : _____



Datablad			
Product nr: VSU4DN080P-200		Product name: Vortex valve FluidVertic VSU VSU4DN080P-200, PUR, CUSTOMIZED	
NRF nr: -			
Version: 26-06-2023	Side: 1 av 1	Outlet's dmsion: D-200 outlet (dim 200 PVC tip)	
		<p>Copyright This drawing is protected intellectual property ownership bu Norwegian law and may not be unjustifiably copied, used or sent to third parties without MFT's approval. The subscription must also not be used on a tender basis without MFT's permission. The knowledge our customers acquire during project preparation, ordering, purchasing, assembly, etc. The customer cannot utilize themself on his own, through later own construction of plagiarism etc. Violation of these obligations can result in both criminal and liability.</p>	
<p>Pionerer i regnvannshåndtering</p>		<p>mft.no</p>	