

Notes:

- 1) Installation according to installation instructions.
- 2) All dimensions in [mm].
- 3) Stated criteria has been considered as a minimum recommendation. In the event of a lack of upstream sand traps or a high sand/sludge content, the distance should be increased.

Any accessories are not shown in the drawing.

Min. manhole's diameter recommended: $\phi 1000\text{mm}$.

Minimum mounting opening:
DM_{min}: $\phi 650\text{mm}$

Parts list:

A	1 stk	Vortex valve housing	PUR
B	8 stk	Locking bolts	316
C	1 stk	Outlet	PUR

Accessories:

D	1 stk	Mouting plate	PUR
E	1 stk	Gasket	Celle plast
F	8 stk	Eks bolts	316
G	1 stk	Filling piece	PE

Customized product dimensioning criteria

Dim. Water flow Q_b (l/s): _____

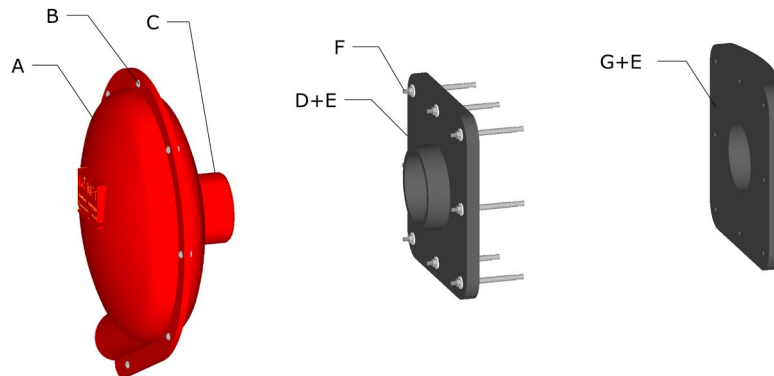
Dim. Head pressure h_b (m): _____

Outlet mounted against standard socket comes as standard option

Accessories:

Mounting plate (Yes/No): _____

Filling piece for mounting plate customized to a manhole's diameter D_k (m) : _____



Datasheet

Product nr: VSU6DN065P-110		Product name: Vortex valve FluidVertic VSU VSU6DN065P-110, PUR, CUSTOMIZED	
NRF nr: -			
Version: 27-06-2023	Side: 1 av 1	Outlet's dimension: D-110 outlet (dim 50 PVC tip)	

Copyright
This drawing is protected intellectual property ownership by Norwegian law and may not be unjustifiably copied, used or sent to third parties without MFT's approval. The subscription must also not be used on a tender basis without MFT's permission. The knowledge our customers acquire during project preparation, ordering, purchasing, assembly, etc. The customer cannot utilize themselves on his own, through later own construction of plagiarism etc. Violation of these obligations can result in both criminal and liability.

mft.no