

Notes:

- 1) Installation according to installation instructions.
- 2) All dimensions in [mm].
- 3) Stated criteria has been considered as a minimum recommendation. In the event of a lack of upstream sand traps or a high sand/sludge content, the distance should be increased.
- 4) Any accessories are not shown in the drawing.

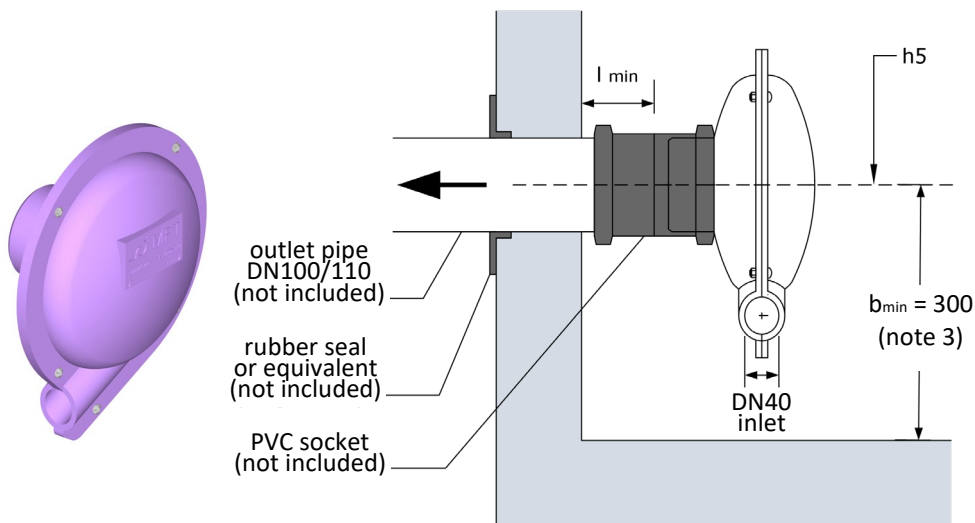
Min. manhole's diameter recommended:
D=1000 mm

Minimum mounting opening:
Dm = Ø400mm

Minimum recommended socket length: lmin = 110 mm

Parts lists:

| | | | |
|---|-------|----------------------|-----|
| A | 1 pc | Vortex valve housing | PUR |
| B | 5 pcs | Locking bolts | 316 |
| C | 1 pc | Outlet | PUR |
| | | | |



Datasheet

| | | | |
|-----------------------------------|-----------------|--|--|
| Product nr: VSU6DN40-12 | | Product name: Vortex valve FluidVertic Standard, VSU6DN040, PUR, outlet 110 PVC tip | |
| NRF nr: 3024175 | | | |
| Version: 22-02-2021 | Page: 1 of 1 | Performance: 1.15 l/s with 1.2 m head pressure | |

Copyright
This drawing is protected intellectual property ownership by Norwegian law and may not be unjustifiably copied, used or sent to third parties without MFT's approval. The subscription must also not be used on a tender basis without MFT's permission. The knowledge our customers acquire during project preparation, ordering, purchasing, assembly, etc. The customer cannot utilize themselves on his own, through later own construction of plagiarism etc. Violation of these obligations can result in both criminal and liability.

mft.no